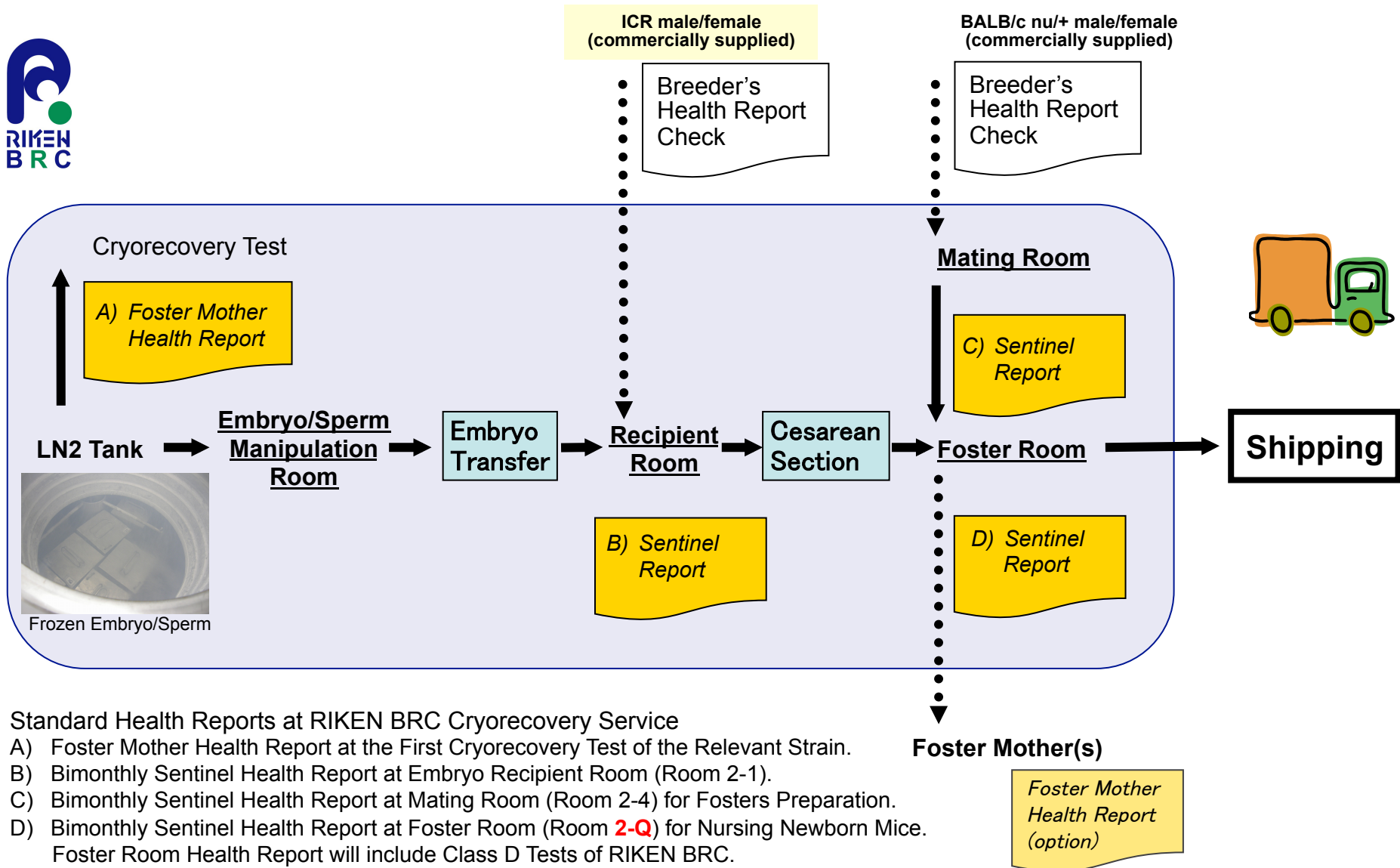


Health Reports in RIKEN BRC Cryorecovery Work



Standard Health Reports at RIKEN BRC Cryorecovery Service

- A) Foster Mother Health Report at the First Cryorecovery Test of the Relevant Strain.
- B) Bimonthly Sentinel Health Report at Embryo Recipient Room (Room 2-1).
- C) Bimonthly Sentinel Health Report at Mating Room (Room 2-4) for Fosters Preparation.
- D) Bimonthly Sentinel Health Report at Foster Room (Room 2-Q) for Nursing Newborn Mice.
Foster Room Health Report will include Class D Tests of RIKEN BRC.

Option: Foster Mother(s) Health Report of the Relevant New Born Mice is Available on your charge.